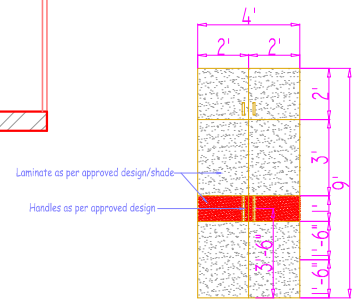
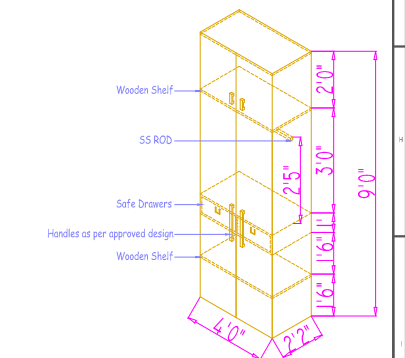
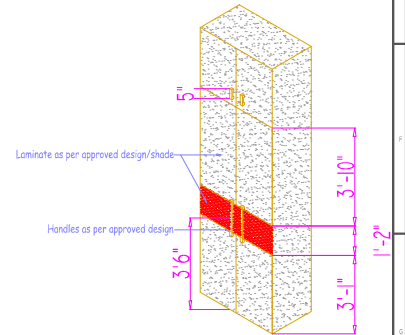


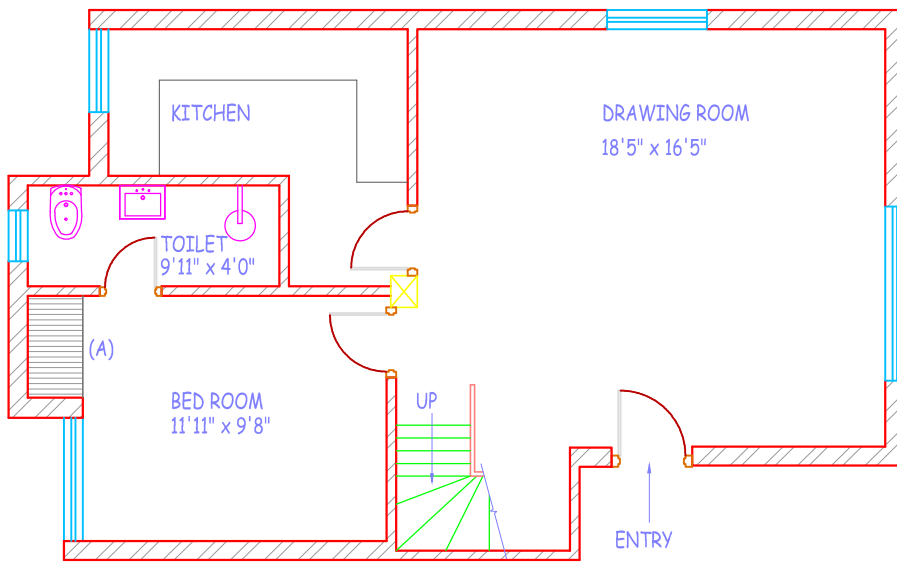
UPPER FLOOR PLAN



FRONT ELEVATION



DETAIL OF STORAGE (A)



FLOOR PLAN

NOTE :-  
 1. TO NOT SCALE THE DRAWING, FOLLOW WRITTEN DIMENSION ONLY.  
 2. ALL DIMENSIONS IN MM AND FEET BY PITCHES.  
 3. 50 MM PLINTH PROTECTION TO BE PROVIDED ALL AROUND THE BUILDING.  
 4. DRAWING SHALL BE DONE WITH PROPER COORDINATE.  
 5. TOILET FLOORING: KITCHEN FLOORING: SHALL BE 50 MM DOWN FROM GENERAL FLOOR LEVEL.  
 6. CURBS/GROoves SHALL HAVE SLOPING OF 80 MM. HIGH.  
 7. LOCUS ON SIZES & LEVELS OF FINISHES TO BE CO-ORDINATED WITH EXTERNAL SEWERAGE LAY OUT PLAN NOT A PART OF THIS DRAWING.  
 8. ALL MEASUREMENT MUST BE CHECKED AT SITE BY CONTRACTOR.

| REVISIONS | DATE       | DRAWN BY   | TITLE                              |
|-----------|------------|------------|------------------------------------|
|           | 19-01-2018 | AKIT       | NIPFP FLAT NO. 8 (STORAGE DETAILS) |
|           |            | NTS        |                                    |
|           |            | ORG. NO.   |                                    |
|           |            | JOB. NO.   | NIPFP/FLAT NO. 8/04                |
|           |            | CHECKED BY | SAMIR RASTOGI                      |

CLIENT  
 NATIONAL INSTITUTE OF PUBLIC FINANCE & POLICY

*(Signature)*